

smorphi

Transforming learning with
transformer robots

smorphi



app-controlled



extendable



customisable

compatible with a wide range of sensors



curriculum

coding lessons & exercises included



ROS

support programming languages

C++ & Python
ROS compatible/enabled

www.wefaarobotics.com.sg



smorphi is a first of its kind educational robot. It is mobile, modular and extendable by combining more units into a reconfigurable robot: its shape changing abilities are tetris-inspired. smorphi robots are programmable in various languages, from Blockly visual programming, C++, python, and has extended software libraries to support ROS / ROS2. smorphi is suitable for users of all ages and is versatile enough to switch seamlessly between a teaching tool and a play companion.

mechanical parts

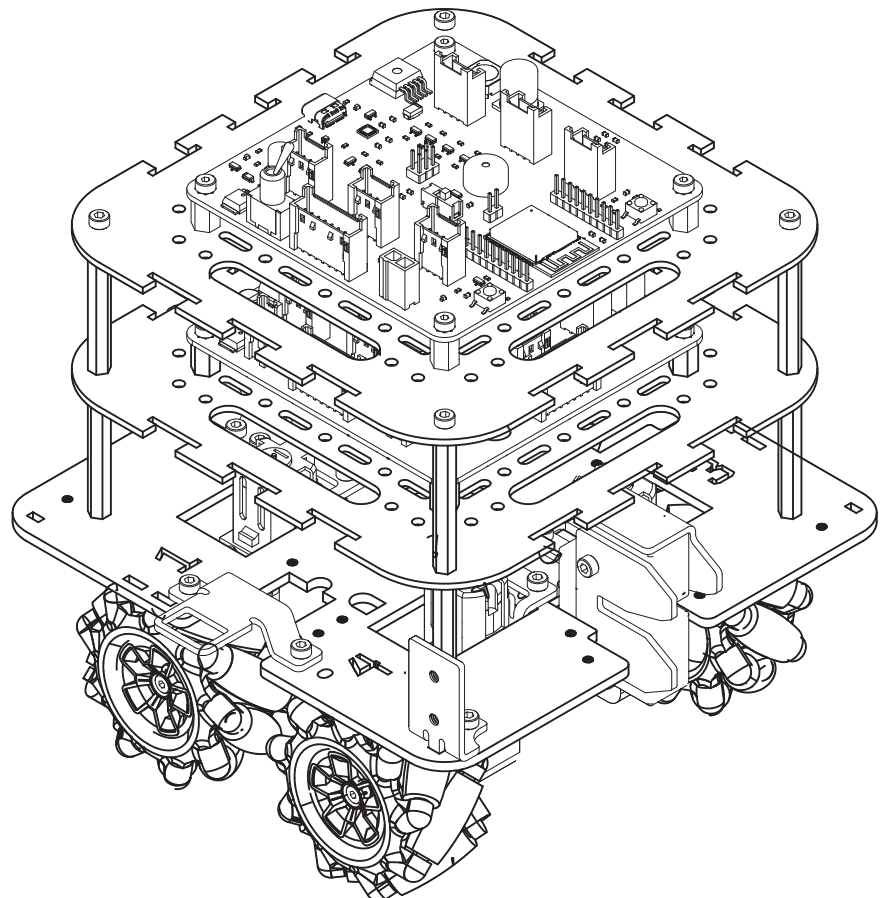
aluminum base plate and mounts
acrylic trays for electronic mounts
solenoids & hinges for reconfigurability
mecanum wheels for 360° motion
other hard ware & accessories

electronic modules

1 x smorphi master controller board
1 x smorphi slave driver board
1 x 14.4V 2500mAh li-ion battery and charger

manuals

e-manual for assembly
coding lessons and exercises



* List price in Singapore Dollars and excluding delivery