

smorphi<sup>2</sup>  
Transforming learning with  
transformer robots

# smorphi<sup>2</sup>



app-controlled



extendable



customisable

compatible with a wide range of sensors



curriculum

coding lessons & exercises included



ROS

support programming languages

C++ & Python  
ROS compatible/enabled

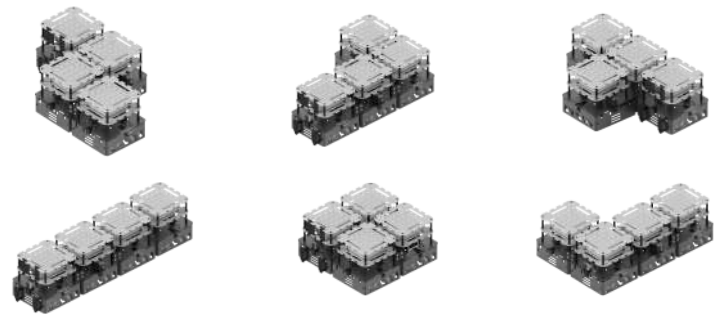
smorphi is a first of its kind educational robot. It is mobile, modular and reconfigurable into 7 different configurations: its shape changing abilities are tetris-inspired.

smorphi robots are programmable in various languages, from Blockly visual programming, C++, python, and has extended software libraries to support ROS / ROS2.

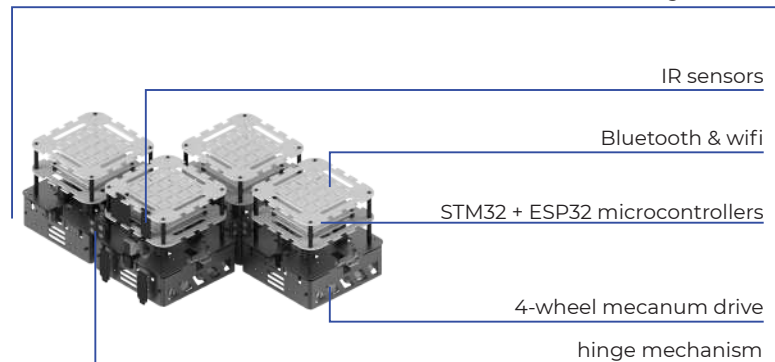
smorphi is suitable for users of all ages and is versatile enough to switch seamlessly between a teaching tool and a play companion.

## features of smorphi<sup>2</sup>

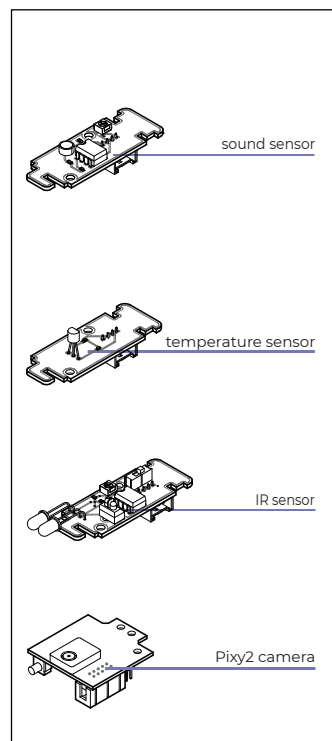
app-controlled translation and transformation



7 configurations



## sensors included



## specifications of smorphi<sup>2</sup>

mechanical parts	aluminum base plates acrylic plates for electronics solenoids & hinges mecanum wheels other hardware & accessories
electronic modules	1 x smorphi master board 4 x smorphi slave boards 1 x sound sensor 1 x temperature sensor 4 x IR sensor 1 x Pixy2 camera
manuals	e-manual for assembly coding lessons and exercises
programming	C++, Python programming ROS enabled/compatible

## buildable form variations



\* List price in Singapore Dollars and excluding delivery